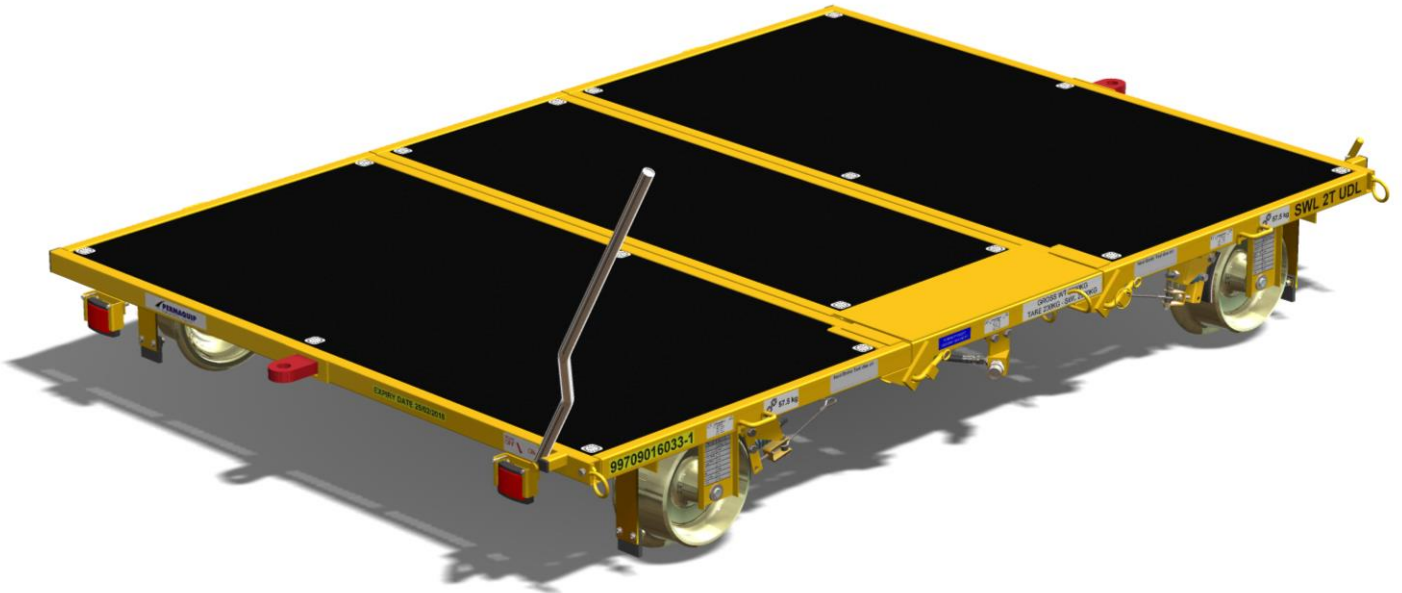




## Type B Towing Trailer *Technical Specification*



### **Description:**

The Permaquip™ Type B Towing Trailer is designed to be used as a vehicle towed/propelled, load-bearing rolling platform for use on-track. It has also been designed to be used with a variety of Permaquip™ optional inserts.

The Type B Towing Trailer has been designed to be split into sections to aid handling and transporting to and from site.

Each Type B Towing Trolley is equipped with either a fail-safe hydraulic braking system or a fail-safe air braking system, when used in conjunction with an appropriate towing vehicle. The connecting hydraulic or air hose is permanently attached to the Type B Towing Trailer and has a quick release coupling for connecting to the towing / propelling vehicle or the next trailer ahead in the train.

### **Please note:**

All information, illustrations and specifications in this Technical Sheet are based on the latest information available at the time of publication. The right is reserved to make changes at any time without notice.

Equipment operators and installers shall be responsible for ensuring that a safe working environment and safe systems of work are in place and in certain circumstances advice and permission from the controlling authority must be sought before any operation, installation or surveying work is carried out.

Permaquip™ is a trademark of Permaquip Ltd.

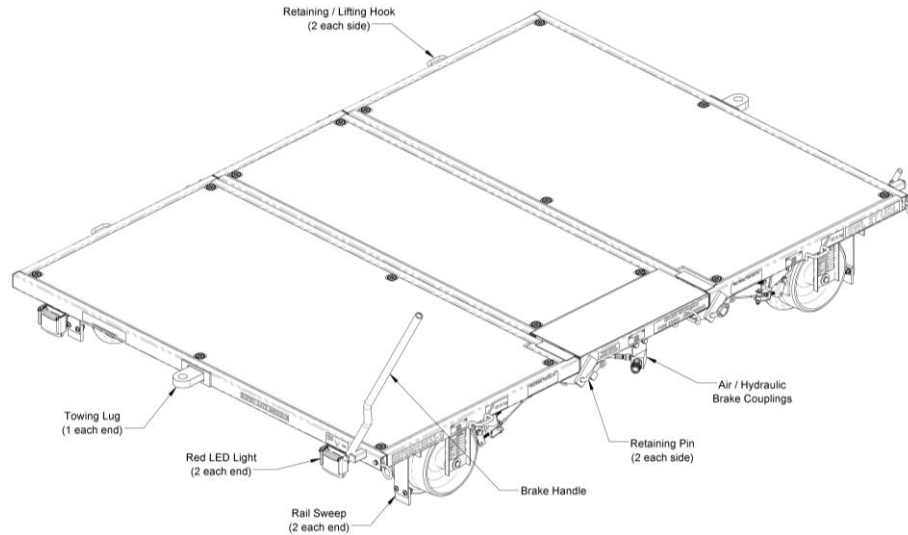
©2006 Permaquip Ltd.

Permaquip Ltd, Brierley Industrial Park, Stanton Hill, Sutton-In-Ashfield Nottinghamshire, NG17 3JZ

Tel: +44 (0)1623 513349 / Fax: +44 (0)1623 517742

E-mail: [sales@permaquip.co.uk](mailto:sales@permaquip.co.uk) / [www.permaquip.co.uk](http://www.permaquip.co.uk)

## Type B Towing Trailer Layout:



## Technical Data:

### Type B Towing Trailer Part Numbers:

• Type B Towing Trolley – Hyd. Brakes G/A	33284
• Type B Towing Trolley – Air Brakes G/A	38239
• Trolley Sides	33477
• Trolley High Sides	34511
• Trolley – Trolley Tow Bar	30723
• RRV – Trolley Tow Bar	32920
• Marker Light Board	33801

### Overall dimensions:

• Length	2621mm
• Width	1795mm
• Height from top of rail head:	304 mm
• Mass	230 kg

### Platform dimensions:

• Length	2426mm
• Width	1695mm

### Track Gauge:

1435 mm  
(Various other gauges available upon request)

### SWL:

2000 kg UDL

### Maximum number of Towing Trailers coupled together:

4

### Speeds:

• Maximum speed on Points and Crossings	10 mph
• Maximum speed through raised check & guard rail	10 mph
• Maximum speed on plain line	20 mph

### Maximum Cant:

200 mm

### Maximum Gradient:

1:29

### Minimum track curve radius:

80 m

### Wheels:

• Material	Steel
• Profile	P1
• Rolling Diameter	10"

# Permaquip Type B Towing Trailer

